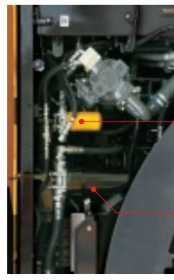


Maintenance and Featured Options

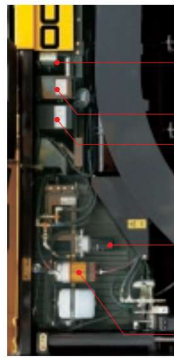


Easy maintenance

Daily inspections are extremely straightforward. Oil and grease checks, filter changes as well as other maintenance jobs can be easily carried out just by opening the covers.



Hydraulic oil filter (return)



Fuel filter (pre) Fuel filter (main)



Machine controller Battery switch



Battery switch



Adblue[®] tank

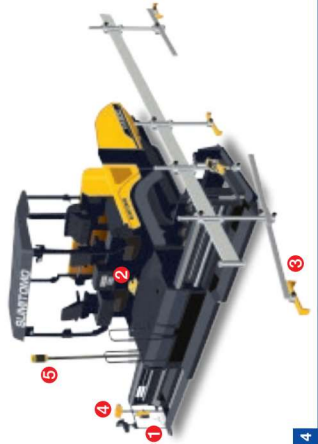


Cleaning devices (both sides)

Emergency evacuation system (option)

If the engine or pump malfunction during paving, this function allows the machine to be moved to a safe location away from the road.

*The hydraulic hand pump can operate the cylinders of the hopper, screed extend and screed lift.



Engine oil filter



Auto greasing system TV, tractor and screed Grease feeding points

Tractor		Screed	
Conveyor lifter	Conveyor drive	Auger	Timper
4	2	4	16
			2



heater rod

AVS (Asphalt fume Ventilation System) (option)

The hydraulic fan draws fumes from the area between tractor and screed, and blows them away upward of canopy.

Side plate heater (option)

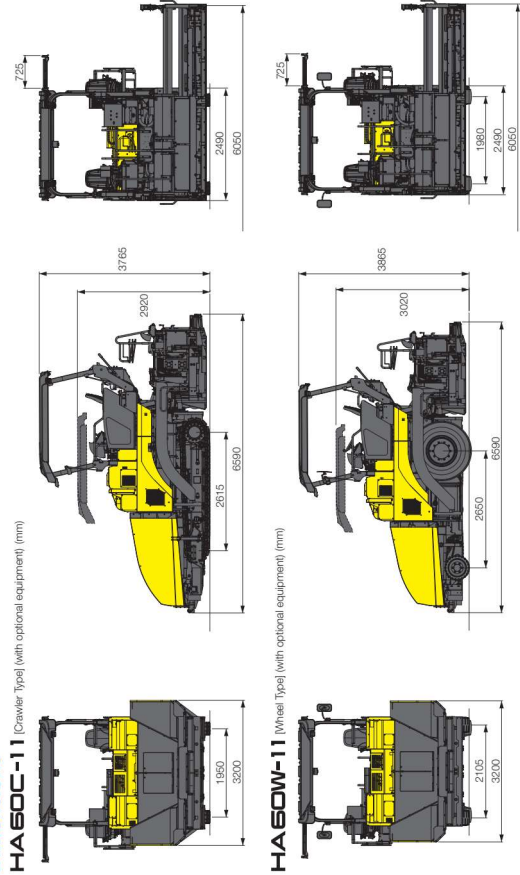
Principle specifications

	HAB6C-11	HAB6W-11
Paving width	2.3-6.0 m infinitely variable	
Paving thickness	10-300 mm	
Paving speed	1-20 m/min	
Hopper capacity	12 ton	
Center crown ratio / Side slope ratio	-1-3% (Hyd.) / 0-3%	
Overall length	6,390 mm	
Overall (transportation) width	2,490 mm	
Overall height / transportation height	3,765 mm / 2,620 mm	3,665 mm / 3,020 mm
Operating weight	15,500 kg	15,970 kg
Turner distance / Wheel base	2,610 mm	2,650 mm
Crabber width	284 mm	
Tires		Front: 22x 14 x 16 (solid) Rear: 14.0PR25 (685/682R25)
Width x No. of tire	400 mm x 2	
Rotating speed	0-15.8 m/min	
Auger dimensions	330 dia. x 300 pitch mm	
Rotating speed	0-82 min ⁻¹	
Model	J-Paver 2360	
Heating system	Electric	
Compaction system	Timper & Vibrator	
Type of driving method	Crawler (Track)	Wheel (Tire)
Drive method	HST	Front: Hyd. Motor / Rear: HST
Brake type	Automatic brake	
Travelling speed (Forward / Backward)	0-3 / 0-3 km/h	0-15 / 0-8 km/h
Make & Model	YANMAR-4TN107 (EU Stage V)	
Displacement	4.567 cc (4 CYL)	
Rated output	110/2,200 kW/min ¹ (ECO MODE 108/2,000 kW/min ¹)	
Fuel tank capacity	180 L	191 L

Equipment items

	HAB6C-11	HAB6W-11	Standard	Option
Push roller	○	○		
Oscillating push roller	○	○		
Hydraulic operated hopper front	○	○		
Opposed wings L&R	○	○		
Hydraulic height adjustment (160 mm)	○	○		
Reversible auger	○	○		
Left & right seat	○	○		
Slide-out seat	○	○		
Seat heater (Under developng)	●	●		
Grade & Slope sensor (Contact, Inertonic)	●	●		
Material flow controller (Auger rotation control)	○	○		
Front wheel traction control	-	○		
Brake steering	-	○		
Diff-lock system	-	○		
Screed anti-tilt lock	○	○		
Hydraulic height adjustment of extendable screed	○	○		
Hydraulic height adjustment of extendable mold board	○	○		
Auto. Timper speed setting	○	○		
Electric heating (3CH control)	○	○		
Side plate heating (Electric)	○	○		
Hard top canopy (FPF) (hydraulic operation)	○	○		
Emergency control system by hand pump	○	○		
Auto greasing system (In. screed)	○	○		
Crawler blade	○	○		
FVM (Field View Monitor) (3 camera)	○	○		
Hopper camera (1 camera)	○	○		
Side window shield	○	○		
Front window shield (Under developng)	○	○		
AVS (Asphalt fume Ventilation System) (Under developng)	○	○		

Dimensions



Automation for convenience

Grade sensors, slope sensors, 3D control systems and other devices for automation can be used with Sumitomo's pavers to make operations more convenient.

Device	Type
1 Grade sensor	Contact / Ultrasonic
2 Slope sensor	Conventional / Digital
3 Big-Ski	3 / 4 Sonic
4 Material flow sensor	Auger rotation speed
5 3D-Machine control	GPS / Total station